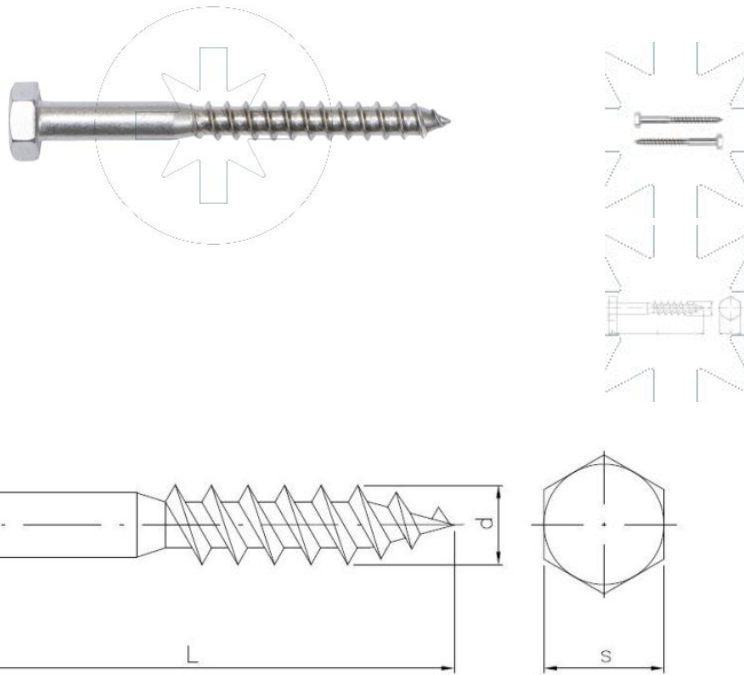


Standards:

DIN 571
PN-M 82501~

Materiale:

A2



Maße

Material index	d [mm]	L [mm]	s [mm]	k [mm]	Lg [mm]	Materialien
I3203100100A2S	10	100	17.0	7.0	60	A2 (Edelstahl)
I3203100080A2S	10	80	17.0	7.0	48	A2 (Edelstahl)
I3203100120A2S	10	120	17.0	7.0	72	A2 (Edelstahl)
I3203080100A2S	8.0	100	13.0	5.5	60	A2 (Edelstahl)
I3203080070A2S	8.0	70	13.0	5.5	42	A2 (Edelstahl)
I3203080080A2S	8.0	80	13.0	5.5	48	A2 (Edelstahl)