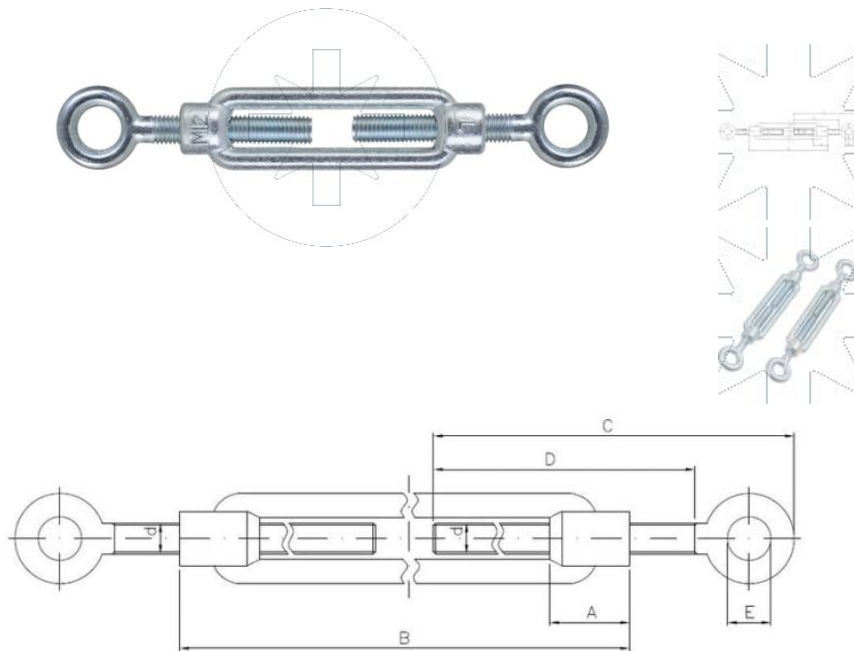




Beschichtung (Standard):



Maße

Material index	d	B [mm]	C [mm]	D [mm]	e [mm]	A [mm]	Nośność na rozciąganie [kN]
6309180200ATS	M18	200	160	98	25	32	72.55
6309160170ATS	M16	170	150	88	22	27	64.09
6309140140ATS	M14	140	124	75	18	25	25.02
6309120125ATS	M12	125	111	70	16	21	24.81
6309100125ATS	M10	125	105	68	14	18	21.18
6309080110ATS	M8	110	85	57	10	15	7.01
6309060110ATS	M6	110	80	55	9	12	1.73
6309050070ATS	M5	70	57	35	8	10	1.31
6309300255ATS	M30	255	224	135	31	42.5	190.07
6309240255ATS	M24	255	215	135	28	39	146.49
6309280255ATS	M27	255	224	135	31	42.5	168.67
6309220220ATS	M22	220	190	118	28	34.5	96.60