

52.40
MPT
5

Bohrschraube MPT 5 (keramikbeschichtet)

ANFRAGE

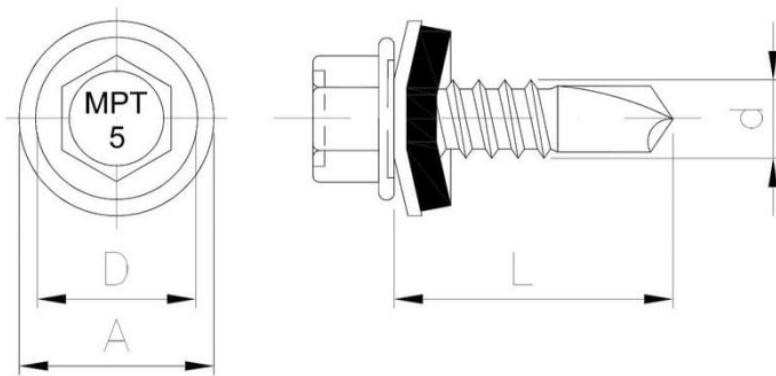
+48 58 55 40 410

Standards:

ETA-18/0371



Beschichtung (Standard):



Maße

Material index	d [mm]	L [mm]	D [mm]	A [mm]	Art der Beschichtung
5240055032H05T	5.5	32	10.5	-	Silver Ruspert
5240055070H05T	5.5	70	10.5	-	Silver Ruspert
5240055060H05T	5.5	60	10.5	-	Silver Ruspert
5240055038H05T	5.5	38	10.5	-	Silver Ruspert
5240055050H05T	5.5	50	10.5	-	Silver Ruspert
5240055025H05T	5.5	25	10.5	-	Silver Ruspert
5240055019H05T	5.5	19	10.5	-	Silver Ruspert
5240055032A14H05T	5.5	32	10.5	14	Silver Ruspert
5240055025A14H05T	5.5	25	10.5	14	Silver Ruspert
5240055038A14H05T	5.5	38	10.5	14	Silver Ruspert
5240055060A14H05T	5.5	60	10.5	14	Silver Ruspert
5240055019A14H05T	5.5	19	10.5	14	Silver Ruspert
5240055050A14H05T	5.5	50	10.5	14	Silver Ruspert
5240055070A14H05T	5.5	70	10.5	14	Silver Ruspert
5240055050A16H05T	5.5	50	10.5	16	Silver Ruspert
5240055019A16H05T	5.5	19	10.5	16	Silver Ruspert

Material index	d [mm]	L [mm]	D [mm]	A [mm]	Art der Beschichtung
5240055025A16H05T	5.5	25	10.5	16	Silver Ruspert
5240055038A16H05T	5.5	38	10.5	16	Silver Ruspert
5240055032A16H05T	5.5	32	10.5	16	Silver Ruspert
5240055070A16H05T	5.5	70	10.5	16	Silver Ruspert
5240055060A16H05T	5.5	60	10.5	16	Silver Ruspert