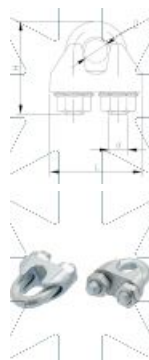
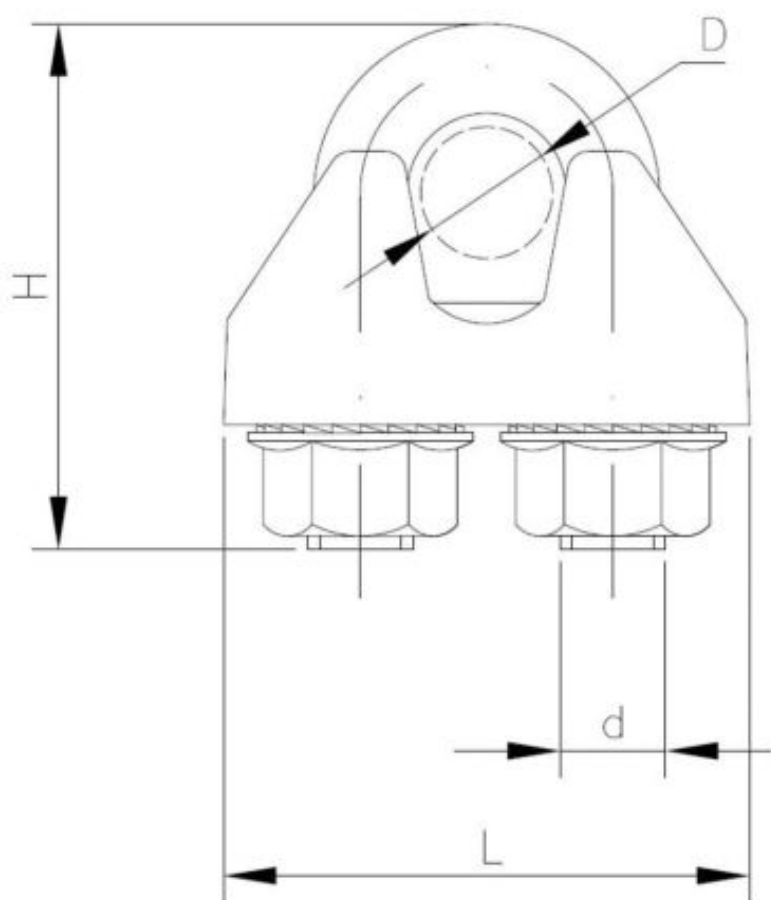


Standards:

~DIN 741
PN-EN 13411



Materiale:



Maße

| Material index | Typ | d | L [mm] | H [mm] | D [mm] |
|----------------|-----|-----|--------|--------|--------|
| I6315013A4741S | 13 | M10 | 45 | 56 | 13 |
| I6315008A4741S | 8 | M8 | 30 | 38 | 8 |
| I6315006A4741S | 6 | M6 | 28 | 35 | 6 |
| I6315005A4741S | 5 | M5 | 25 | 27 | 5 |
| I6315004A4741S | 4 | M5 | 21 | 22 | 4 |
| I6315003A4741S | 3 | M3 | 18 | 19 | 3 |